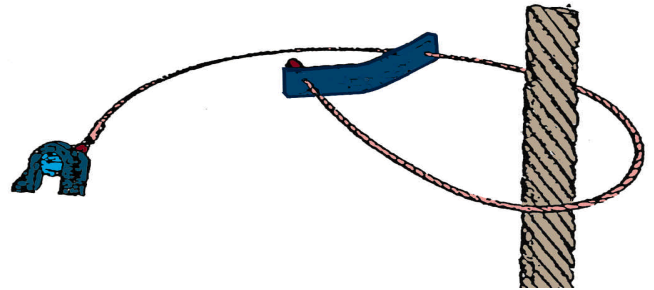
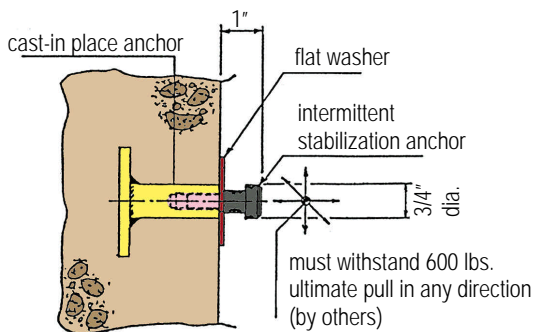


The suspension rope is placed through the lanyard loop before the rope is attached to the building. Lanyard can be removed only when the suspension rope is detached from the building. Length of the lanyard from suspension rope to the building is adjusted for tautness by sliding the adjustment plate along the lanyard cable towards the building. Tension on the lanyard then locks the adjustment plate firmly in position.

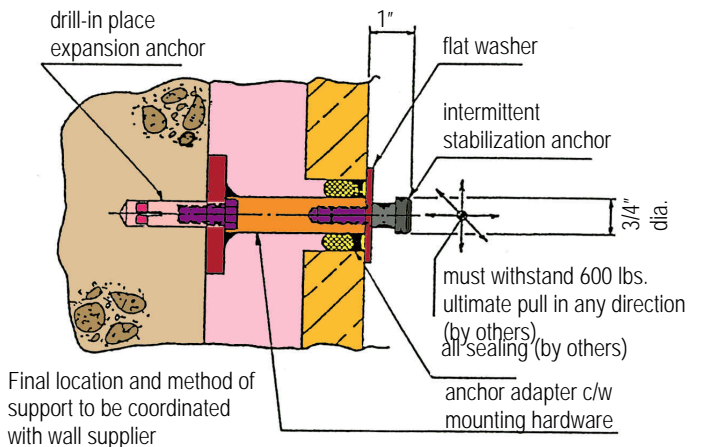


Stabilization anchors must be installed in buildings over 130' (150' or 45m in Canada), with the first on being no more than 50' from the top of the building. The vertical distance between anchors below 50' must be no more than 50' or 3 floors whichever is less.

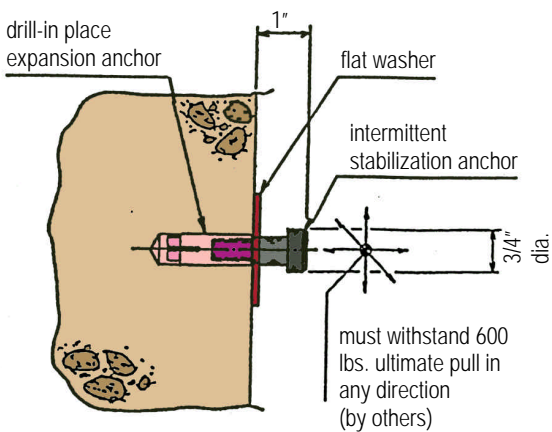


Final location and method of support to be coordinated with wall supplier

**Type 1: Cast-in anchor**

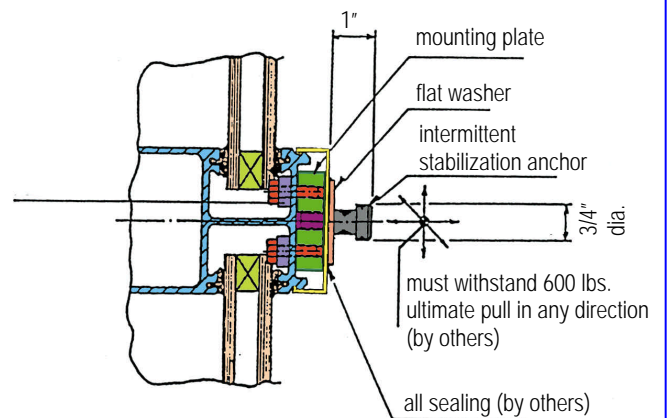


**Type 3: Drill-in c/w anchor adapter**



Final location and method of support to be coordinated with wall supplier

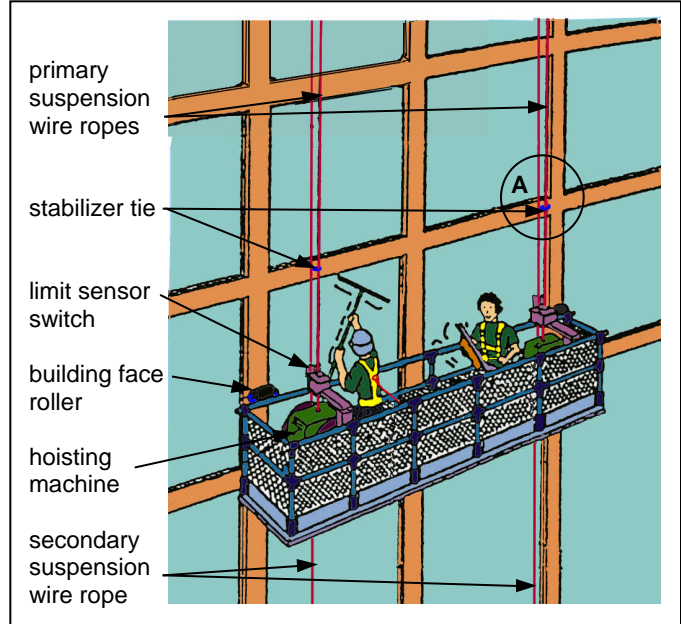
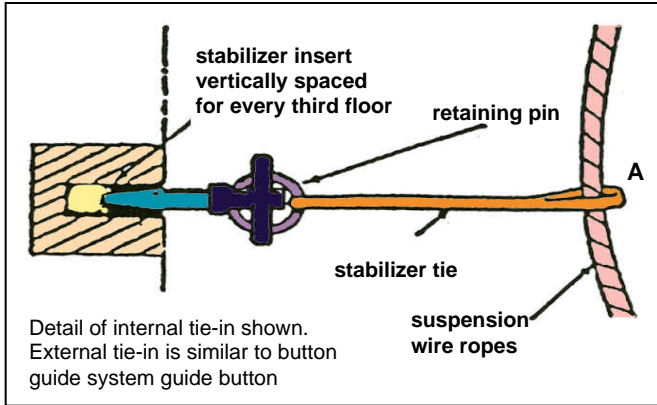
**Type 2: Drill-in anchor**



Final location and method of support to be coordinated with wall supplier

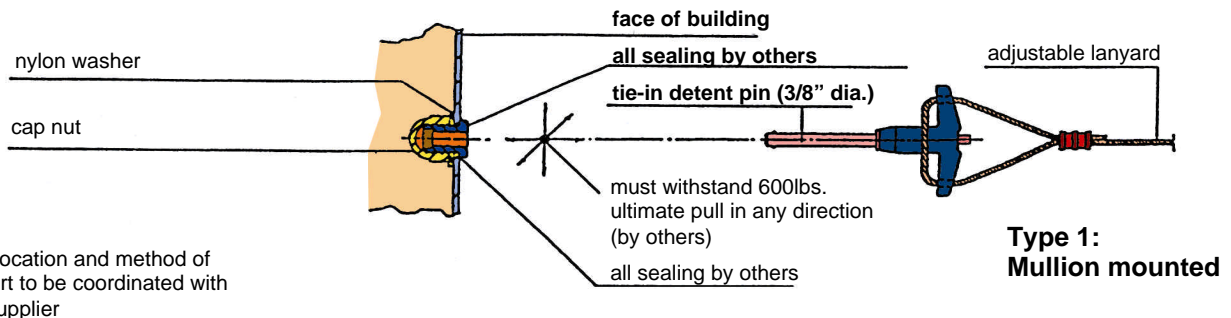
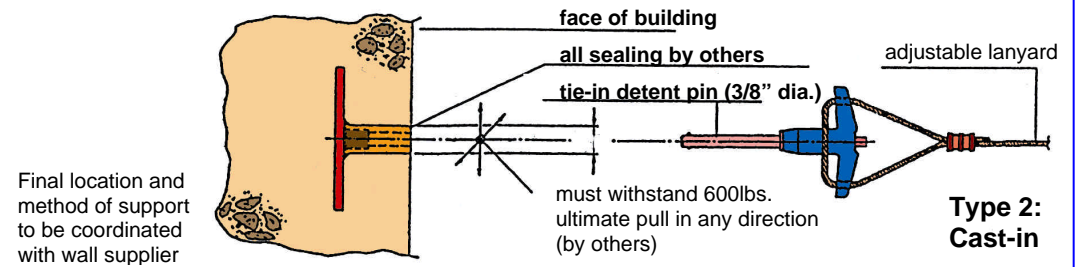
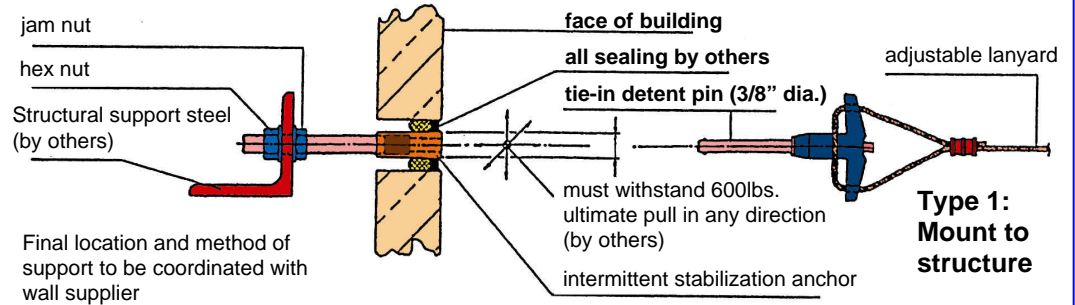
**Type 4: Mullion-mounted**

Stabilization anchors must be installed in buildings over 130' (150' or 45m in Canada), with the first on being no more than 50' from the top of the building. The vertical distance between anchors below 50' must be no more than 50' or 3 floors whichever is less.



The suspension rope is placed through the lanyard loop before the rope is attached to the building. Lanyard can be removed only when the suspension rope is detached from the building.

Length of the lanyard from suspension rope to the building is adjusted for tautness by sliding the adjustment plate along the lanyard cable towards the building. Tension on the lanyard then locks the adjustment plate firmly into position.



A more effective system is to fit the building with a mullion guide system. Continuous descent of the building is done by guide rollers fitted to the platform, which run in guide rails along the length of the building. These guide rails are generally made of an open extruded aluminum profile, which is fixed, to the façade.

The mullion guide rails must be able to withstand a 600lb. ultimate pull in any direction. The distance between the guide rails may vary depending on the stage platform length being used.

Stabilization anchors must be installed in buildings over 130' (150' or 45m in Canada), with the first on being no more than 50' from the top of the building. The vertical distance between anchors below 50' must be no more than 50' or 3 floors whichever is less.

*Tractel's design office will carry out a study to provide the most suitable solution for the building and for the safety operators.*

